



Smaller footprint for tight spaces



## 8,400 Gallon Closed-Top Mini Multi-Purpose Tank

Capacity: 8400 gal (200 bbl)  
Height: 8'6"  
Width: 8'6"  
Length: 24'  
Tare Weight: 11,620 lbs

*All sizes are approximate*

At Adler Tank Rentals, we are committed to providing safe and reliable containment solutions for all types of applications where performance matters.

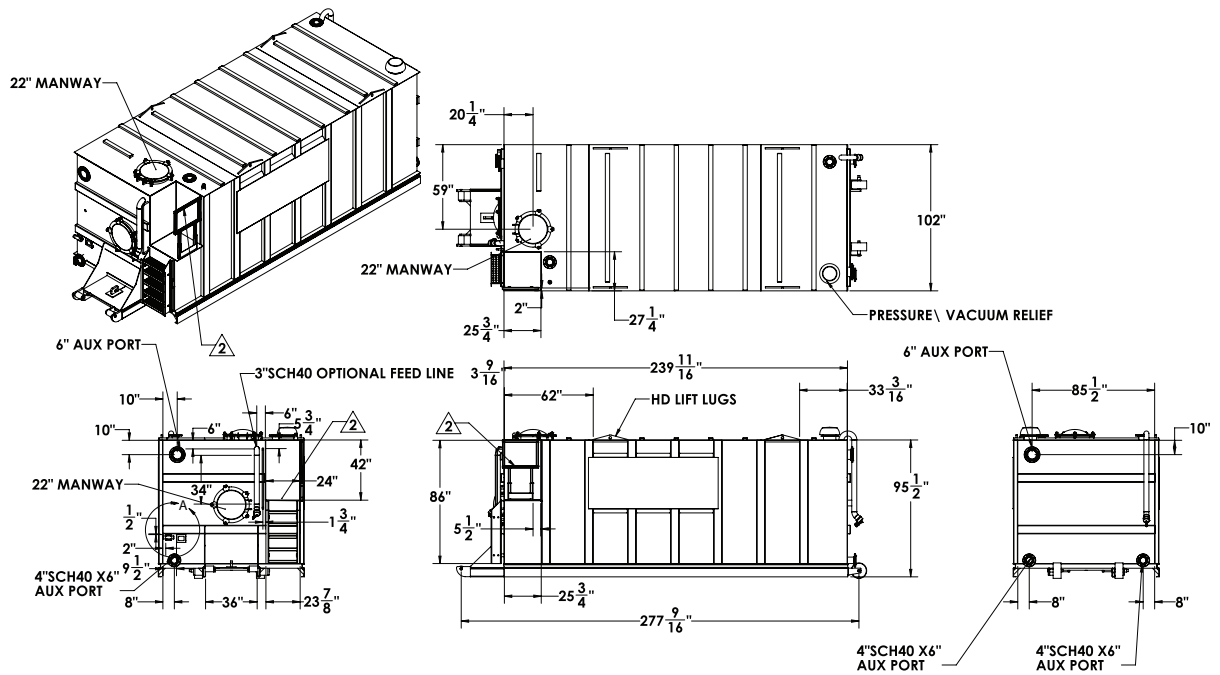
Built with an easy-to-clean, smooth-wall interior and a front-mounted ladderwell for convenient top access, our 8,400 Gallon Closed-Top Mini Multi-Purpose Tank is a top-performing liquid storage solution. A smaller footprint and roll-off truck compatibility make transport and placement simple where job site space is at a premium.



### Mechanical Features

- 3" fill line
- Three (3) standard 22" side-hinged manways
- Multiple 4" valved fill/drain ports, including floor-level valves for low point drain out
- 8" Vent 1lb Pressure/.4 oz vacuum pressure relief valve
- Epoxy coated interior
- Two (2) top connection ports for vapor recovery
- Easy-to-clean design with smooth-wall interior, no corrugations and no internal rods
- Front-mounted ladderwell for top access
- Smaller footprint for space saving on tight sites
- Roll-off truck compatible

# 8,400 Gallon Closed-Top Mini Multi-Purpose Tank



## Safety Features

- Non-slip step materials on ladderwells and catwalks
- "Safety yellow" rails and catwalks for high visibility
- Safe operation reminder decals

## Options

- Bare steel interior
- Steam coils
- Level gauge
- Heating coils
- Audible alarms, strobes and level gauges (digital and mechanical)

## Comprehensive Service

Adler Tank Rentals provides containment solutions for hazardous and non-hazardous liquids and solids. We offer 24-hour emergency service, expert planning assistance, transportation, repair and cleaning services. All of our rental equipment is serviced by experienced Adler technicians and tested to exceed even the most stringent industry standards.

