



Heavy duty construction for improved performance



## 25 Yard Roll-Off Box with Canvas Roll Tarp

Capacity: 25 yd  
Height: 5' 6"  
Width: 8'  
Length: 23'  
Tare Weight: 7,000 lbs

*All sizes are approximate*

At Adler Tank Rentals, we are committed to providing safe and reliable containment solutions for all types of applications where performance matters.

Topped with a heavy-duty vinyl canvas tarp to protect contents from unwanted debris, precipitation or visibility, the 25 Yard Roll-Off Box with Canvas Roll Tarp is designed with features to facilitate clean, leak-proof content disposal and to ease delivery and installation via standard roll-off frame truck. These boxes are ideal containment solutions for a wide variety of project applications.

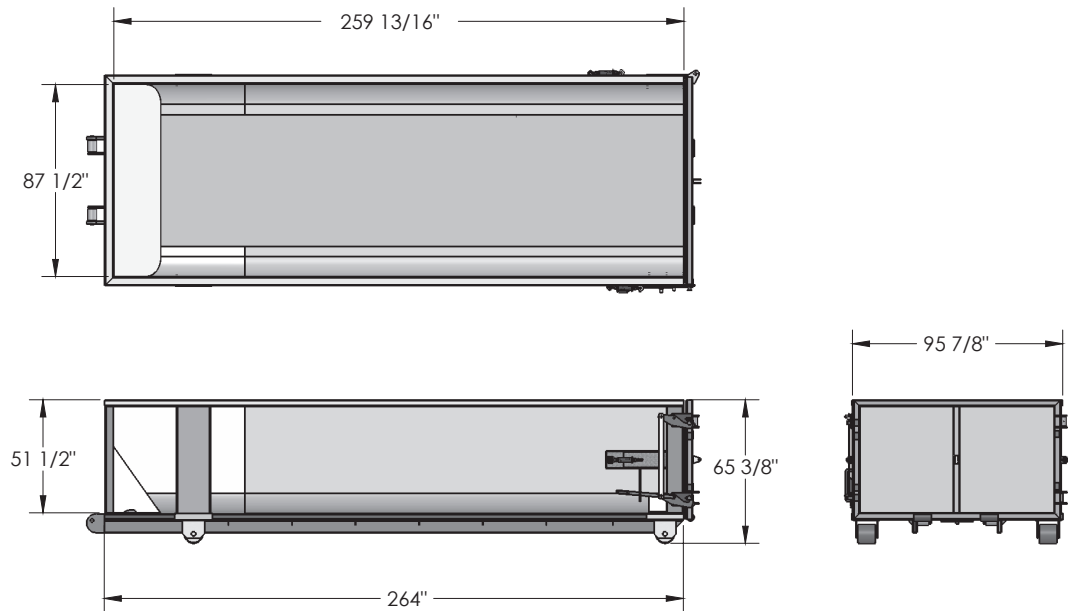


### Mechanical Features

- Standard roll-off container with heavy-duty vinyl canvas tarp
- Horizontal swinging, fully gasketed, watertight door with no crossbar to trap debris when dumping
- Compatible with standard roll-off frame truck

## 25 Yard Roll-Off Box with Canvas Roll Tarp

---



### Options

---

- 20 yd, 30 yd and 40 yd sizes also available
- Single-ply 3 mil poly plastic liners available upon request

### Comprehensive Service

---

Adler Tank Rentals provides containment solutions for hazardous and non-hazardous liquids and solids. We offer 24-hour emergency service, expert planning assistance, transportation, repair and cleaning services. All of our rental equipment is serviced by experienced Adler technicians and tested to exceed even the most stringent industry standards.

