



Gasketed sliding roof and door allows for improved odor/vapor control



25 Yard Roll-Off Box Tub Style with Steel Hard Top

(Available in select locations)

At Adler Tank Rentals, we are committed to providing safe and reliable containment solutions for all types of applications where performance matters.

Topped with a lockable steel sliding split roof lid and ratcheting binders to protect contents from unwanted access, entry or visibility, the 25 Yard Roll-Off Box with Steel Hard Top is designed with features to facilitate clean content disposal and to ease delivery and installation via standard roll-off frame truck. These boxes provide excellent performance when efficient debris removal becomes necessary and are ideal for a wide variety of project applications.

Mechanical Features

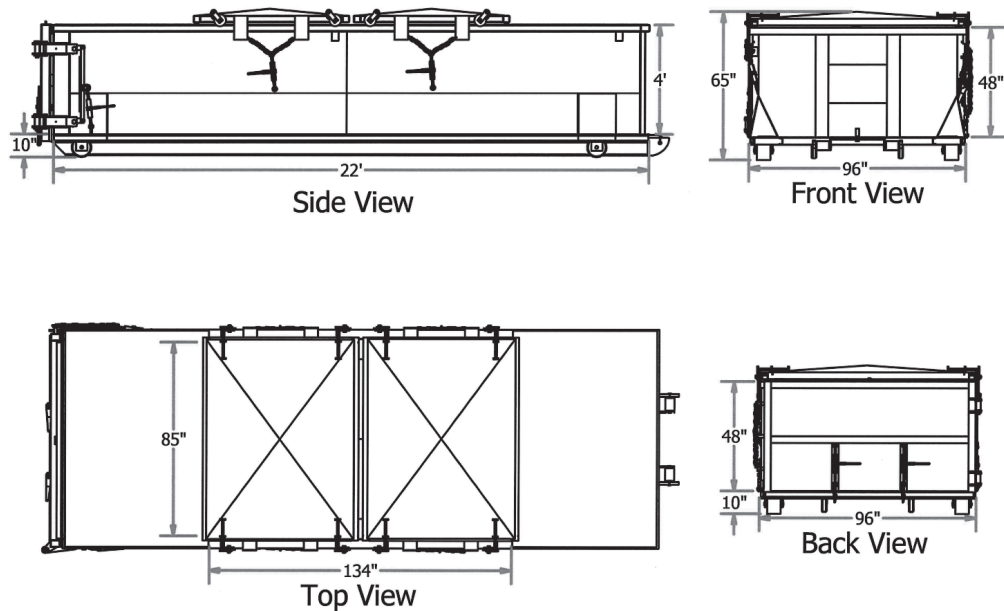
- Sliding split roof lid equipped with ratcheting binders to lock in place
- Plastic liners available upon request
- Compatible with standard roll-off frame truck

Capacity: 25 yd
Height: 5' 6"
Width: 8'
Length: 25'
Tare Weight: 9,000 lbs

All sizes are approximate



25 Yard Roll-Off Box – Tub Style with Steel Hard Top



Options

- Single-ply 3 mil poly plastic liners available upon request

Comprehensive Service

Adler Tank Rentals provides containment solutions for hazardous and non-hazardous liquids and solids. We offer 24-hour emergency service, expert planning assistance, transportation, repair and cleaning services. All of our rental equipment is serviced by experienced Adler technicians and tested to exceed even the most stringent industry standards.

