



Easy-to-clean, smooth-wall interior



10,080 Gallon Open-Top Mud Tank

Capacity: 10,080 gal (240 bbl)
Height: 5' 6"
Width: 8' 6"
Length: 46'
Tare Weight: 18,000 lbs

All sizes are approximate.

At Adler Tank Rentals, we are committed to providing safe and reliable containment solutions for all types of applications where performance matters.

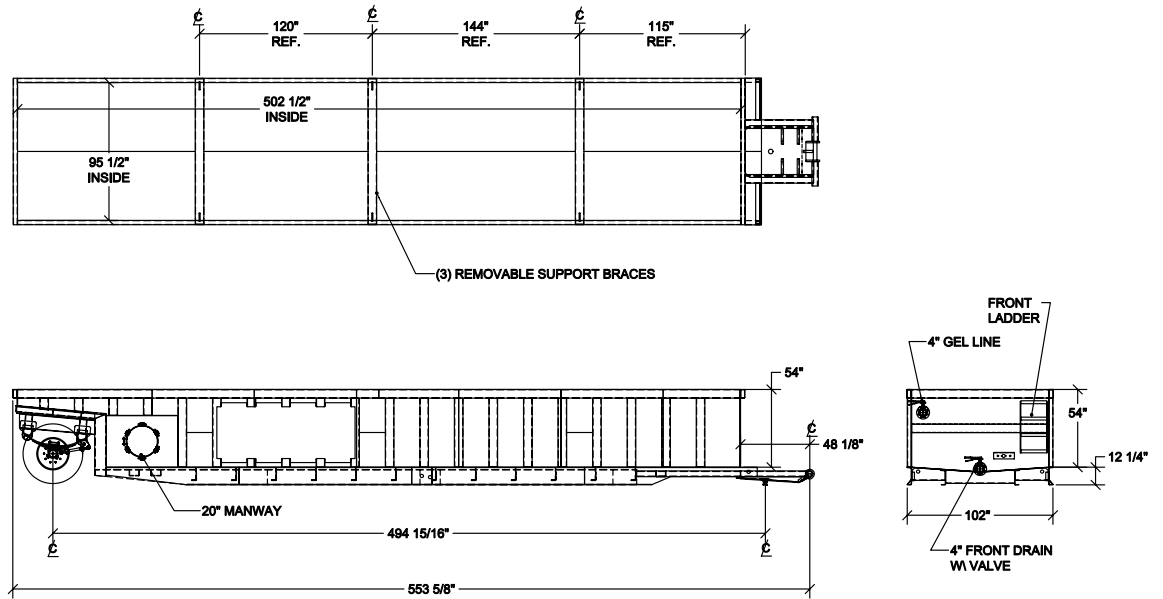
Combined with our standard smooth-wall construction and sloped V bottom for ease of drainage, the 10,080 Gallon Open-Top Mud Tank is a top-performing storage solution. Featuring removable top mounted sidewall support braces, and 1/4" steel plate construction on both the floors and sidewalls, this flexible and dependable tank has multiple applications in support of drilling and boring operations.



Mechanical Features

- Removable top mounted sidewall support braces
- Smooth walls, no interior bracing
- V Sloping bottom for easy drainage
- 1/4" Steel plate construction
- Fixed rear axle for increased maneuverability

10,080 Gallon Open-Top Mud Tank



Safety Features

- Front-mounted grip strut step ladder for top access
- Strapping charts
- Safe operation reminder decals

Options

- Available with interior coating

Comprehensive Service

Adler Tank Rentals provides containment solutions for hazardous and non-hazardous liquids and solids. We offer 24-hour emergency service, expert planning assistance, transportation, repair and cleaning services. All of our rental equipment is serviced by experienced Adler technicians and tested to exceed even the most stringent industry standards.

